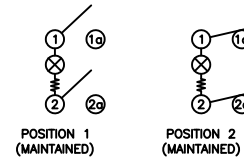


**SCHEMATIC**



**SPECIFICATIONS**

**FUNCTION:**  
2P1T OFF-ON

**RATINGS:**  
ANSI/UL 1054 and CAN/CSA C22.2 No. 55 (E194579):  
15A 125VAC [UR, cUR]  
10A 250VAC [UR, cUR]  
1/3HP 125/250VAC [UR, cUR]

**ILLUMINATION VOLTAGE:**  
24V

**CONTACT RESISTANCE:**  
Initial: 35mΩ Max. at 50VAC

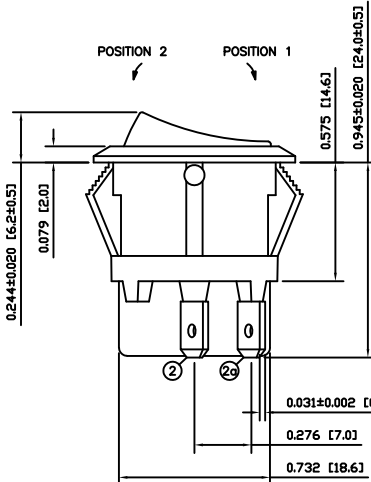
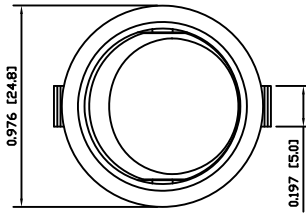
**INSULATION RESISTANCE:**  
100MΩ Min. at 500VDC

**DIELECTRIC STRENGTH:**  
1,500VAC For 1 Minute

**ELECTRICAL LIFE:**  
6,000 Cycles [UR, cUR]

**TEMPERATURE:**  
Operating: -20°C to 105°C [UR, cUR]

**APPROVALS:**



0.031±0.002 [0.80±0.05]	0.037 [4.75]
0.276 [7.0]	0.287 [7.3]
0.732 [18.6]	0.858 [21.8]
	0.898 [22.8]

OBSOLETE

July 2018

PCR 23489

**COLORS AND MARKINGS**

**BODY:**  
Black

**ACTUATOR:**  
Transparent Blue

**MARKING:**  
None

**MARKING COLOR:**  
None

**MATERIALS**

**BODY:**  
Polyamide 6/6 (PA66), UL94 V-2

**ACTUATOR:**  
Polycarbonate (PC), UL94 V-2

**LAMP CARRIER:**  
Polyamide 6/6 (PA66), UL94 V-2

**LAMP:**  
Incandescent Bulb

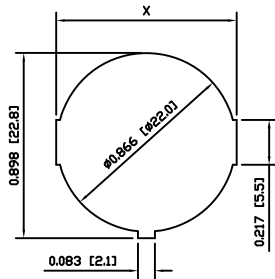
**SPRING:**  
Steel

**PLUNGER:**  
Steel

**CONTACTS:**  
Silver Alloy Plated Copper

**TERMINALS:**  
Silver Plated Copper  
Silver Plated Brass

**SUGGESTED PANEL CUTOUT**



PANEL THICKNESS	X
0.030~0.049 [0.75~1.25]	0.874 [22.2]
0.049~0.079 [1.25~2.00]	0.882 [22.4]
0.079~0.118 [2.00~3.00]	0.890 [22.6]

ACTUATOR	A	09/08/12	CAB
BODY	A	09/08/12	CAB
COLORS	A	09/08/12	CAB
MATERIALS	A	09/08/12	CAB
SPECIFICATIONS	A	09/08/12	CAB
REFERENCE	REV.	DATE	BY

THE INFORMATION CONTAINED IN THIS DOCUMENT IS PROPRIETARY TO E-SWITCH-LAMB INDUSTRIES AND IS NOT TO BE COPIED OR TRANSFERRED

A	INITIAL RELEASE	PCR20593	05/11/12	drg
REV.	DESCRIPTION	PCR	DATE	DRAWN BY

DIMENSIONS
INCHES [MILLIMETERS]
GENERAL TOLERANCES
±0.008 [±0.2] / ±1'

RRA12C1000-145

<b>PROJECTION</b> FIRST ANGLE	<b>DRAWING NUMBER</b> 38--RRA12C1000145	<b>DATE</b> MAY 11, 2012	<b>REVISION</b> A
----------------------------------	--	-----------------------------	----------------------